

YOUR MEASURING TASKS ARE SENSITIVE. **MARTEST IS HIGHLY SENSITIVE.**



The latest information on MARTEST products can be found on our website:

www.mahr.com, WebCode 10407

► | Since 1936 Mahr is one of the leading global producers of test indicators, we have achieved this with the continuous advancement of our products and with unrelenting commitment to produce high quality products that not only meet customer requirements but also exceed them. We have also increased research and development in order to satisfy the demands and requirements of the market, however our core philosophy is to offer our customer a highly accurate and simple solution for various measuring tasks. With the MarTest series of test indicators there is not just a broad product range but also a wide variety of accessories at your disposal. The sensitive computer-optimized shockproof mechanism of the test indicator ensures maximum security and precision. MarTest is ideal for use in workshop conditions due to the dial being sealed thus impervious to the penetration of liquids. | ◀

▶ | MarTest. Test Indicators and Touch Probes

Mechanical Test Indicators with Dial Overview

4- 2

Standard version

MarTest 800 S / 800 SG / 800 SA / 800 SGA

metric

4- 4

MarTest 801 S1 / 801 S / 801 SG / 801 SGI

inch

4- 4

With a higher resolution

MarTest 800 SM / 800 SGM / 800 SGE

metric

4- 5

MarTest 801 SM / 801 SGM / 801 SGE

inch

4- 5

With a longer styli

MarTest 800 SL / 800 SGL / 800 SGB

metric

4- 6

MarTest 801 SL / 801 SGL

inch

4- 6

Horizontal version

MarTest 800 H

metric

4- 7

MarTest 801 H

inch

4- 7

Vertical version

MarTest 800 V / 800 VGM

metric

4- 7

MarTest 801 V / 801 VGM

inch

4- 7

With a larger measuring range

MarTest 800 SR / 800 SRM

metric

4- 8

MarTest 801 SR / 801 SRM

inch

4- 8

Digital Test Indicators

Standard version

MarTest 800 EW

4- 9

With a longer styli

MarTest 800 EWL

4-10

Accessories

4 - 8 / 4-11

3D-Touch Probes

Water proof, with a Digital display

MarTest 802 NW

4-14


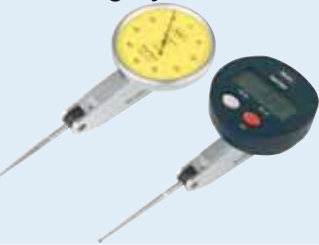

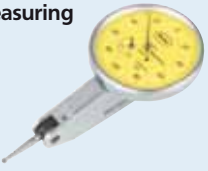


Water proof, with an Analog display

MarTest 802 EW

4-15

MarTest. Test Indicators

OVERVIEW

MarTest - Versions		Measuring range	Dial style	Readings	DIN 2270	Accuracy						
						f_{ges}	f_e	f_u	f_t	f_w		
	Standard	metric										
	800 S	± 0.4 mm	0-40-0	0.01 mm	●	13 µm	10 µm	3 µm	5 µm	3 µm		
	800 SG	± 0.4 mm	0-40-0	0.01 mm	●	13 µm	10 µm	3 µm	5 µm	3 µm		
	800 SA	± 0.25 mm	0-25-0	0.01 mm		8 µm	5 µm	3 µm	5 µm	3 µm		
	800 SGA	± 0.25 mm	0-25-0	0.01 mm		8 µm	5 µm	3 µm	5 µm	3 µm		
	800 EW	± 0.4 mm ± .015"	digital	0.001/ 0.01/ .00005" .001/ .0005"	●		10 µm	3 µm				
		inch										
	801 S1	± .015"	0-15-0	.001"		.0005"	.0004"	.00012"	.0002"	.0002"		
	801 S	± .015"	0-15-0	.0005"		.0005"	.0004"	.00012"	.0002"	.0002"		
	801 SG	± .015"	0-15-0	.0005"		.0005"	.0004"	.00012"	.0002"	.0002"		
801 SGI	± .015" (± 0.30 mm)	0-15-0 (0-30-0)	.001" (0.01 mm)		.0005"	.0004"	.00012"	.0002"	.0002"			
	Extra Long Styli	metric										
	800 SL	± 0.25 mm	0-25-0	0.01 mm		13 µm	10 µm	5 µm	5 µm	3 µm		
	800 SGL	± 0.25 mm	0-25-0	0.01 mm		13 µm	10 µm	5 µm	5 µm	3 µm		
	800 SGB	± 0.5 mm	0-50-0	0.01 mm		13 µm	10 µm	4 µm	5 µm	3 µm		
	800 EWL	± 0.25 mm ± .010"	digital	0.001/ 0.01/ .00005" .001/ .0005"			10 µm	3 µm				
		inch										
	801 SL	± .010"	0-10-0	.0005"		.0005"	.0004"	.0002"	.0002"	.00012"		
	801 SGL	± .010"	0-10-0	.0005"		.0005"	.0004"	.0002"	.0002"	.00012"		
		Higher Resolution	metric									
		800 SM	± 0.1 mm	0-100-0	0.002 mm	●	4 µm	3 µm	2 µm	2 µm	1.5 µm	
800 SGM		± 0.1 mm	0-100-0	0.002 mm	●	4 µm	3 µm	2 µm	2 µm	1.5 µm		
800 SGE		± 0.07 mm	0-70-0	0.001 mm		4 µm	3 µm	2 µm	2 µm	1.5 µm		
		inch										
801 SM		± .004"	0-4-0	.0001"		.00016"	.00012"	.00008"	.00008"	.00006"		
801 SGM		± .004"	0-4-0	.0001"		.00016"	.00012"	.00008"	.00008"	.00006"		
801 SGE		± .004"	0-4-0	.00005"		.00016"	.00012"	.00008"	.00008"	.00006"		
		Larger Measuring Range	metric									
		800 SR	± 0.8 mm	0-40-0	0.01 mm		14 µm	10 µm	4 µm	5 µm	3 µm	
	800 SRM	± 0.2 mm	0-100-0	0.002 mm		5 µm	3 µm	3 µm	2 µm	1.5 µm		
		inch										
	801 SR	± .030"	0-15-0	.0005"		.0005"	.0004"	.00016"	.0002"	.00012"		
	801 SRM	± .008"	0-4-0	.0001"		.0002"	.00012"	.00012"	.00008"	.00006"		
		Horizontal Models	metric									
		800 H	± 0.4 mm	0-40-0	0.01mm	●	13 µm	10 µm	3 µm	5 µm	3 µm	
			inch									
		801 H	± .015"	0-15-0	.0005"		.0005"	.0004"	.00012"	.0002"	.00012"	
		Vertical Models	metric									
		800 V	± 0.4 mm	0-40-0	0.01 mm	●	13 µm	10 µm	3 µm	5 µm	3 µm	
		800 VGM	± 0.1 mm	0-100-0	0.002 mm	●	4 µm	3 µm	2 µm	2 µm	1.5 µm	
			inch									
		801 V	± .015"	0-15-0	.0005"		.0005"	.0004"	.00012"	.0002"	.00012"	
		801 VGM	± .004"	0-4-0	.0001"		.00016"	.00012"	.00008"	.00008"	.00006"	

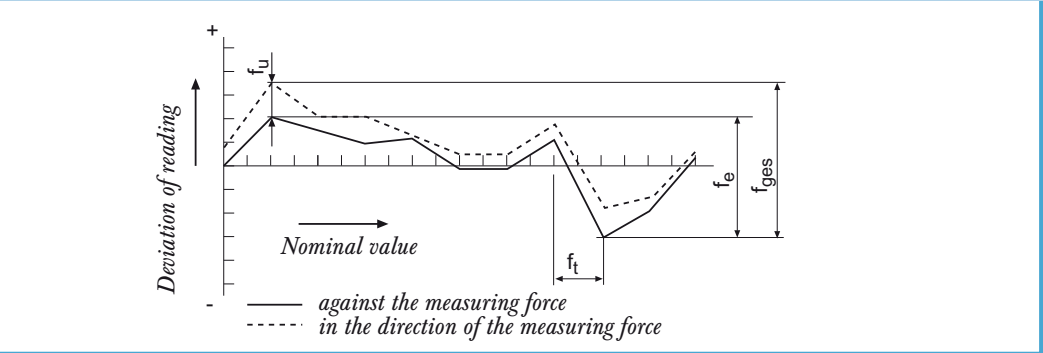
Length of styli	Order no.
14.5 mm	4305200
14.5 mm	4307200
14.5 mm	4301200
14.5 mm	4301250
14.5 mm	4305120
14.5 mm	4305960
14.5 mm	4305950
14.5 mm	4307950
14.5 mm	4307970

41.24 mm	4306200
41.24 mm	4306250
32.3 mm	4301300
41.24 mm	4306120
41.24 mm	4306950
41.24 mm	4306960

14.5 mm	4308150
14.5 mm	4308200
9.1 mm	4308220
14.5 mm	4308960
14.5 mm	4308970
14.5 mm	4308985

14.5 mm	4307250
14.5 mm	4308250
14.5 mm	4307960
14.5 mm	4308980
14.5 mm	4303200
14.5 mm	4303950
14.5 mm	4302200
14.5 mm	4302250
14.5 mm	4302950
14.5 mm	4302960

Metrological characteristics



MarTest - Design features

SHOCK PROOF

- Dial face is sealed with an O-Ring
- Satin chrome finished housing
- Double lever supported in ball bearings, overload protection provided by slip clutch
- Contact point with carbide ball

Mechanism

- Shockproof
- Anti magnetic
- Movement bearings are jeweled with 8 precious stones
- Automatic matching to sensing direction, thus ensuring error-free reading

MarTest - Applications

Concentricity of a shaft	Concentricity of a sleeve	Centering of a bore
Aligning a surface	Testing parallelism	

MarTest standard versions



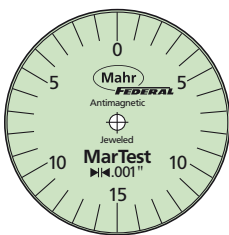
Technical Data

	Measuring range	Readings	Dial dia.	Measuring force	Length of styli	Order no.
800 S	± 0.4 mm	0.01 mm	27.5 mm	0.15 N	14.5 mm	4305200
800 SG	± 0.4 mm	0.01 mm	38 mm	0.15 N	14.5 mm	4307200
800 SA	± 0.25 mm	0.01 mm	27.5 mm	0.1 N	14.5 mm	4301200
800 SGA	± 0.25 mm	0.01 mm	38 mm	0.1 N	14.5 mm	4301250
801 S1	± .015"	.001"	1.1"	0.15 N	14.5 mm	4305960
801 S	± .015"	.0005"	1.1"	0.15 N	14.5 mm	4305950
801 SG	± .015"	.0005"	1.5"	0.15 N	14.5 mm	4307950
801 SGI	± .015" (± 0.3 mm)	.0005" (0.01 mm)	1.5"	0.15 N	14.5 mm	4307970

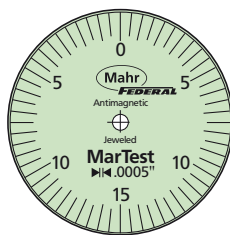
Supplied with:

Plastic storage case, spanner for changing the styli, styli dia. 2 mm, mounting shaft 800 a8 (for metric versions), mounting shaft 800 a6 (800 SA, 800 SGA), mounting shaft 800 a3/8 (for inch versions)

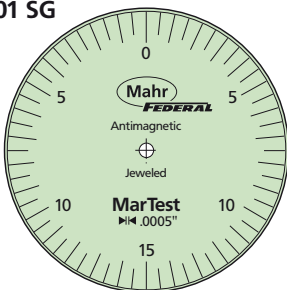
801 S1



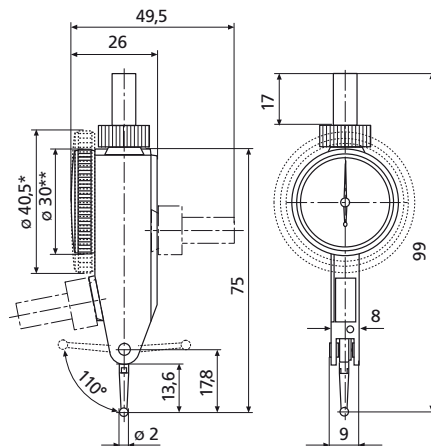
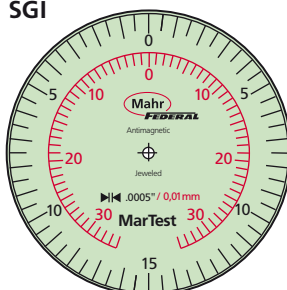
801 S



801 SG



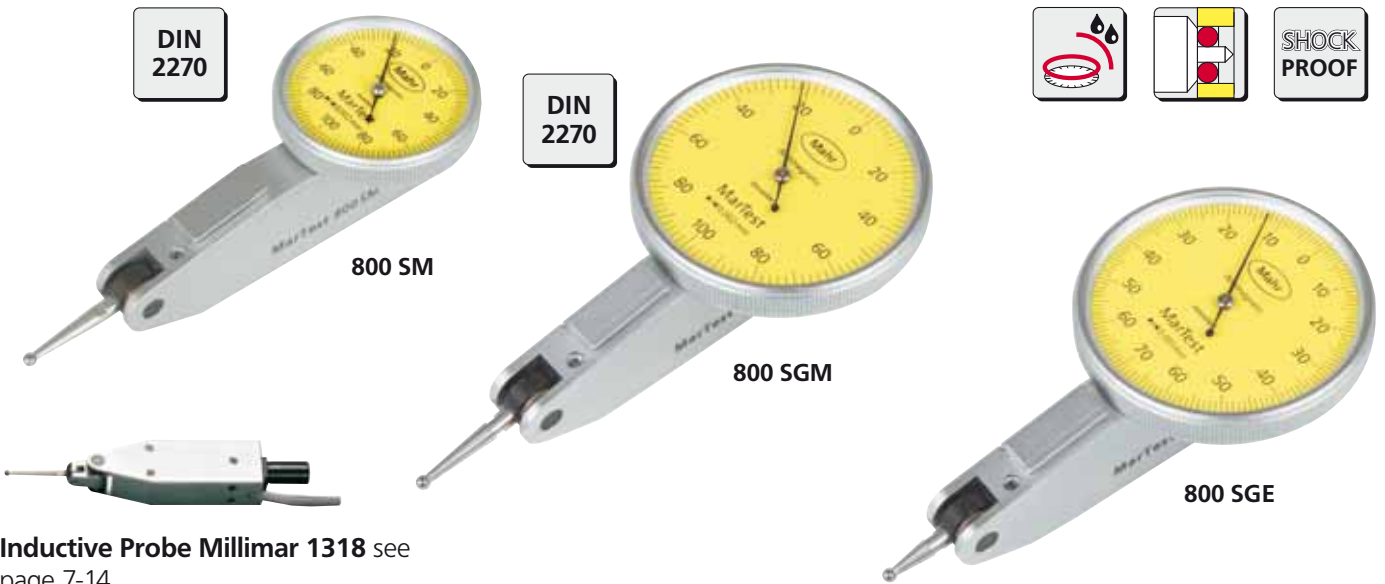
801 SGI



* 800 SG, 800 SGA, 801 SG, 801 SGI

** 800 S, 800 SA, 801 S1, 801 S

MarTest with resolution 0.002 mm/0.001 mm for higher accuracy



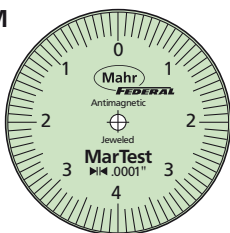
Inductive Probe Millimar 1318 see page 7-14

Technical Data

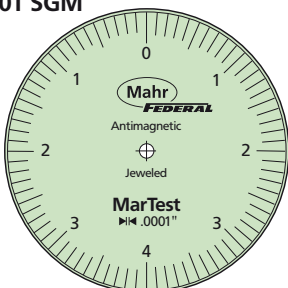
	Measuring range	Readings	Dial dia.	Measuring force	Length of styli	Order no.
800 SM	± 0.1 mm	0.002 mm	27.5 mm	0.15 N	14.5 mm	4308150
800 SGM	± 0.1 mm	0.002 mm	38 mm	0.15 N	14.5 mm	4308200
800 SGE	± 0.07 mm	0.001 mm	38 mm	0.2 N	9.1 mm	4308220
801 SM	± .004"	.0001"	1.1"	0.15 N	14.5 mm	4308960
801 SGM	± .004"	.0001"	1.1"	0.15 N	14.5 mm	4308970
801 SGE	± .004"	.00005"	1.5"	0.15 N	14.5 mm	4308985

Supplied with:
 Plastic storage case, spanner for changing the styli, styli dia. 2 mm, mounting shaft 800 a8 (for metric versions)

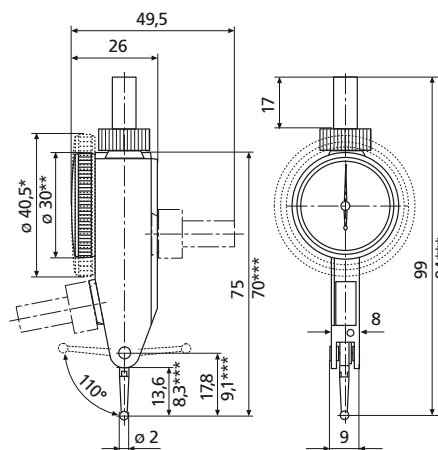
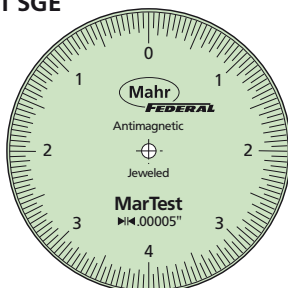
801 SM



801 SGM



801 SGE



* 800 SGM, 800 SGE, 801 SGM, 801 SGE
 ** 800 SM, 801 SM
 *** 800 SGE

MarTest with extra long styli for measuring in even difficult to access positions

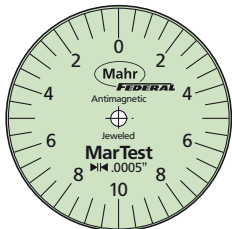


Technical Data

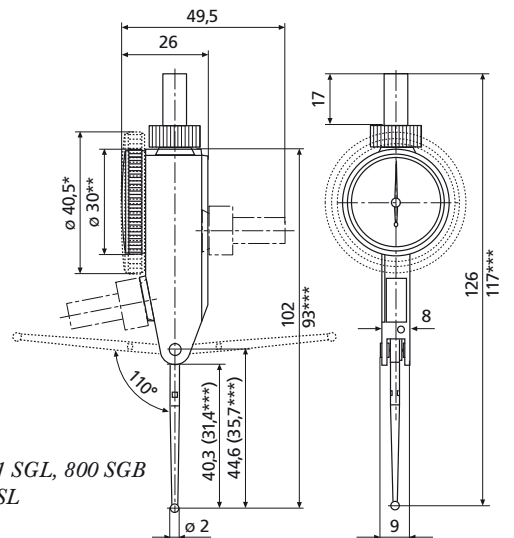
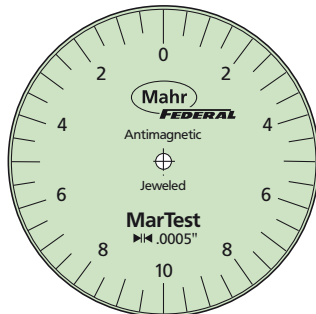
	Measuring range	Readings	Dial dia.	Measuring force	Length of styli	Order no.
800 SL	± 0.25 mm	0.01 mm	27.5 mm	0.07 N	41.24 mm	4306200
800 SGL	± 0.25 mm	0.01 mm	38 mm	0.07 N	41.24 mm	4306250
800 SGB	± 0.5 mm	0.01 mm	38 mm	0.1 N	32.3 mm	4301300
801 SL	± .010"	.0005"	1.1"	0.07 N	41.24 mm	4306950
801 SGL	± .010"	.0005"	1.5"	0.07 N	41.24 mm	4306950

Supplied with:
 Plastic storage case, spanner for changing the styli, styli dia. 2 mm, mounting shaft 800 a8 (for metric versions),
 mounting shaft 800 a3/8 (for inch versions),
 mounting shaft 800 a6 (800 SGB)

801 SL



801 SGL



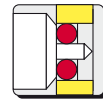
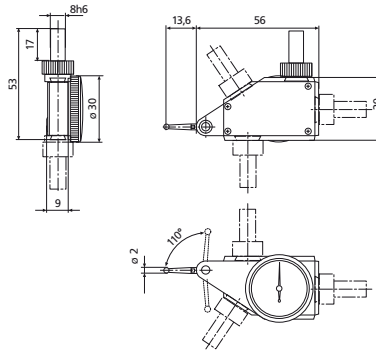
* 800 SGL, 801 SGL, 800 SGB
 ** 800 SL, 801 SL
 *** 800 SGB

MarTest styli can positioned horizontally to the dial face



DIN 2270

800 H



Technical Data

	Measuring range	Readings	Dial dia.	Measuring force	Length of styli	Order no.
800 H	± 0.4 mm	0.01 mm	27.5 mm	0.25 N	14.5 mm	4303200
801 H	± .015"	.0005"	1.1"	0.25 N	14.5 mm	4303950

Supplied with:
 Plastic storage case, spanner for changing the styli, styli dia. 2 mm, mounting shaft 800 a8 (for metric versions), mounting shaft 800 a3/8 (for inch versions)

MarTest vertical model



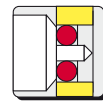
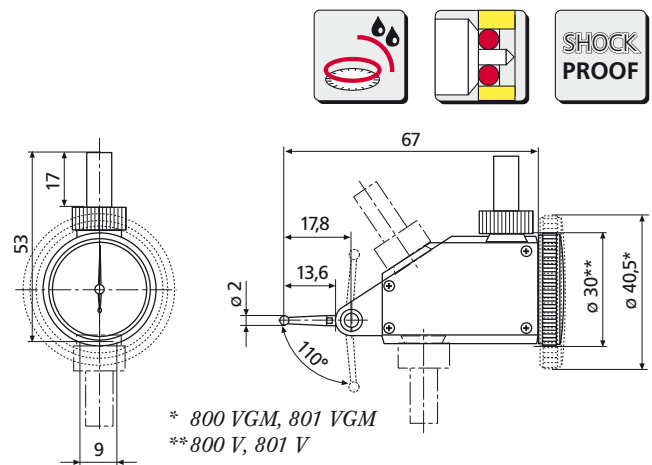
800 V

DIN 2270



800 VGM

DIN 2270



Technical Data

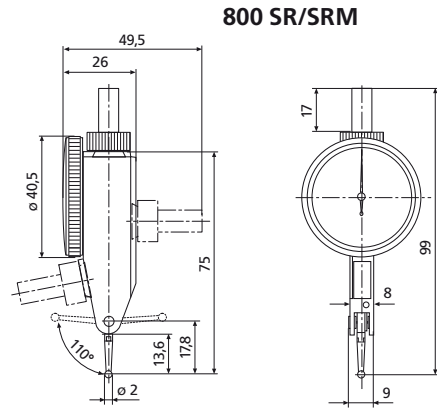
	Measuring range	Readings	Dial dia.	Measuring force	Length of styli	Order no.
800 V	± 0.4 mm	0.01 mm	27.5 mm	0.2 N	14.5 mm	4302200
800 VGM	± 0.1 mm	0.002 mm	38 mm	0.25 N	14.5 mm	4302250
801 V	± .015"	.0005"	1.1"	0.2 N	14.5 mm	4302950
801 VGM	± .004"	.0001"	1.5"	0.25 N	14.5 mm	4302960

Supplied with:
 Plastic storage case, spanner for changing the styli, styli dia. 2 mm, mounting shaft 800 a8 (for metric versions), mounting shaft 800 a3/8 (for inch versions)

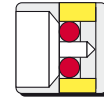
MarTest with larger measuring range



800 SRM



800 SR/SRM



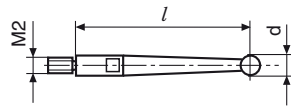
Technical Data

	Measuring range	Readings	Dial dia.	Measuring force	Length of styli	Order no.
800 SR	± 0.8 mm	0.01 mm	38 mm	0.15 N	14.5 mm	4307250
800 SRM	± 0.2 mm	0.002 mm	38 mm	0.15 N	14.5 mm	4308250
801 SR	± .030"	.0005"	1.5"	0.15 N	14.5 mm	4307960
801 SRM	± .008"	.0001"	1.5"	0.15 N	14.5 mm	4308980

Supplied with:
 Plastic storage case, spanner for changing the styli, styli dia. 2 mm, mounting shaft 800 a8 (for metric versions),
 mounting shaft 800 a3/8 (for inch versions)

MarTest - Accessories

Styluses
with ruby contact points



Styluses
with carbide contact points



Spanner for changing the styluses
4305868



Model	Stylus length <i>l</i>	Styluses					
		Carbide contact point			Ruby contact point		
		Cat. no.	dia. 1 mm	d	dia. 2 mm	dia. 3 mm	Cat. no.
800 S/801 S1/801 S 800 SG/801 SG 800 SA 800 SGA 800 SM/801 SM 800 SGM/801 SGM 801 SGE	14.5 mm	800 ts	4305870	4305850	4305871	800 tsr	4309051
800 SR/801 SR 800 SRM/801 SRM 800 H/801 H 800 V/801 V 800 VGM/801 VGM	9.1 mm	800 te	4308851	4308850	4308852	800 ter	4309050
800 SGE	41.24 mm	800 tl	4306851	4306850	4306853	800 tlr	4309053
800 SL/801 SL 800 SGL/801 SGL	32.3 mm	800 tb	4301851	4301850	4301852	800 tbr	4309052

Digital Test Indicator MarTest 800 EW



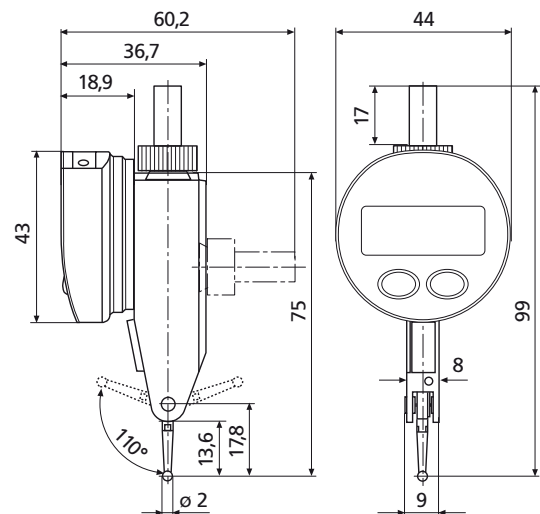
Features

Functions:

- ON/OFF
 - RESET (Set display to zero)
 - mm/inch
 - MAX/MIN memory
 - MAX-MIN ideal for testing concentricity an flatness
 - Auto-OFF
- Operating and display unit (bezel) can be rotated through 360°
 - Satin chrome finished housing with 3 dovetail guideways
 - Shockproof, movement bearings are jewelled
 - Automatic matching to sensing direction
 - Anti-magnetic
 - Double lever supported in ball bearings, overload protection provided by slip clutch
 - Supplied with: Plastic case, spanner to change the styluses, contact point dia. 2 mm, mounting shaft 800h8
- Inductive measuring system, battery life span ca. 2 years
 - MarConnect data output, choose alternatively: USB
OPTO RS232C
 - Operating unit is protected against coolants and lubricants, protection class IP65
 - Combined analog and digital display

Technical Data

	Measuring range mm (inch)	Resolution switchable mm/inch	Measuring force N	Length of styli mm	Order no.
800 EW	± 0.4 (± .015")	0.001/ .0005" 0.01/ .0005"	0.13	14.5	4305120



Accessories

	Order no.
Styli , with carbide contact point dia. 1 mm	4305870
Styli , with carbide contact point dia. 2 mm	4305850
Styli , with carbide contact point dia. 3 mm	4305871
Styli , with ruby contact point dia. 2 mm	4309051
Battery 3V, Type CR 2032	4102520
Data Connection Cable USB	800 EWu 4305121
Data Connection Cable Opto RS232	800 EWr 4305122

Accessories for Data Processing Chapter 11

Digital Test Indicator MarTest 800 EWL



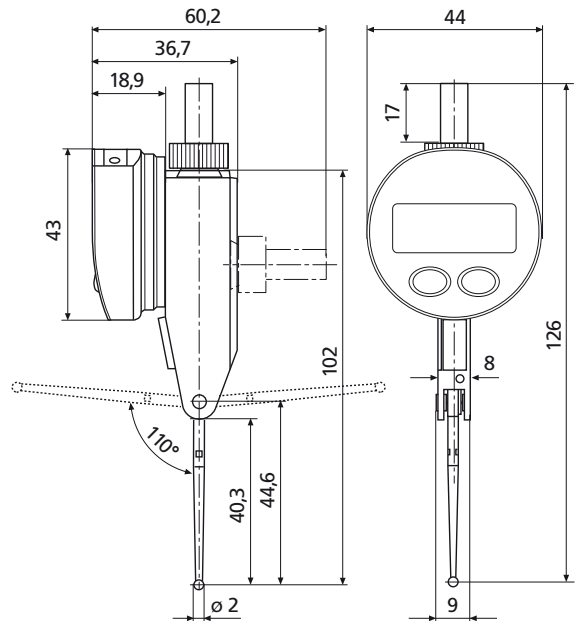
Features

Functions:

- ON/OFF
 - RESET (Set display to zero)
 - mm/inch
 - MAX/MIN memory
 - MAX-MIN ideal for testing concentricity an flatness
 - Auto-OFF
- Operating and display unit (bezel) can be rotated through 360°
 - Satin chrome finished housing with 3 dovetail guideways
 - Shockproof, movement bearings are jewelled
 - Automatic matching to sensing direction
 - Anti-magnetic
 - Double lever supported in ball bearings, overload protection provided by slip clutch
 - Supplied with: Plastic case, spanner to change the styli, contact point dia. 2 mm, mounting shaft 800h8
- Inductive measuring system, battery life span ca. 2 years
 - MarConnect data output, choose alternatively: USB OPTO RS232C
 - Operating unit is protected against coolants and lubricants, protection class IP65
 - Combined analog and digital display

Technical Data

	Measuring range mm (inch)	Resolution switchable mm/inch	Measuring force N	Length of styli mm	Order no.
800 EWL	± 0.25 (± .010")	0.001/ .0005" 0.01/ .0005"	0.07	41.24	4306120



Accessories

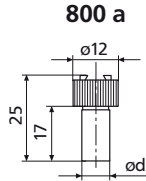
	Order no.
Styli , with carbide contact point dia. 1 mm	4306851
Styli , with carbide contact point dia. 2 mm	4306850
Styli , with carbide contact point dia. 3 mm	4306853
Styli , with ruby contact point dia. 2 mm	4309853
Battery 3V, Type CR 2032	4102520
Data Connection Cable USB	800 EWu 4305121
Data Connection Cable Opto RS232	800 EWr 4305122

Accessories for Data Processing Chapter 11

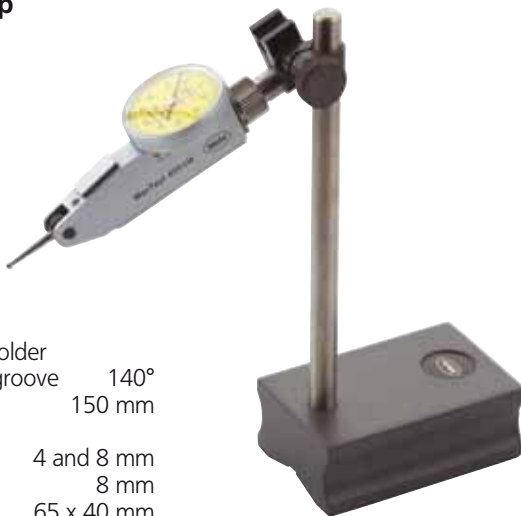
Martest - Accessories

Mounting shaft for dovetail

Mounting shaft	dia. d mm	Order no.
800 a8	8	4305865
800 a6	6	4301865
800 a4	4	4305885
800 a1/4	1/4"	4305895
800 a3/8	3/8"	4305875



Stand 801 p



- With swivel holder
- Base with V-groove 140°
- Total height 150 mm
- Mounting bore dia. 4 and 8 mm
- Column dia. 8 mm
- Base surface 65 x 40 mm

Order no. **4309090**

Indicator not included.

Centering support rods 801 v

- For aligning and centering work pieces on machine tools
- Swivel mounting clamp and fine adjustment
- Stainless steel rods

Mounting bore dia. 8 mm
Swivel range of mounting clamp 180°

Order no. **4309070**



Indicator not included.

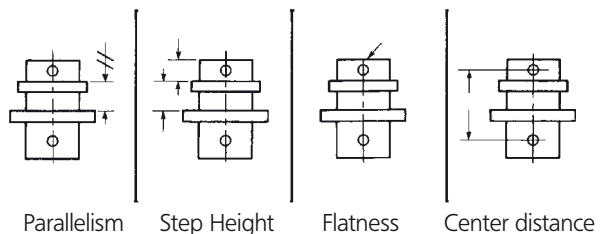
Leveling Table TE-20

Cuts set-up time 60% or more for many height gage measurements.

- The leveling table, TE-20, permits you to quickly bring the surface of a part into alignment with a surface plate in both planes. Completely eliminates shimming. Saves so much time that, used only occasionally, it will pay for itself in two weeks.
- The top plate is stress-relieved steel providing about 67 square inches of work area. It is drilled and tapped for fixtures. Fine pitch screws and large knobs assure precisely controlled adjustments. Works with any type of height gage.
- Operation is simple. Height gage readings are taken at edges of the surface to be aligned. Each plate, independently adjustable at right angles to the other, is angled as required for precise alignment.
Flatness = .025 mm / .001"



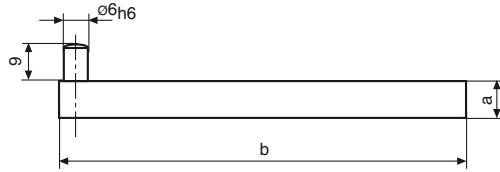
Typical checks which require careful positioning of work because rest surface is not sufficiently parallel to other work surfaces. Leveling Table compensates for error quickly, drastically reduces set-up time.



Adjustment	Top Plate	Bottom Plate
Total	± 1° 30'	± 1° 30'

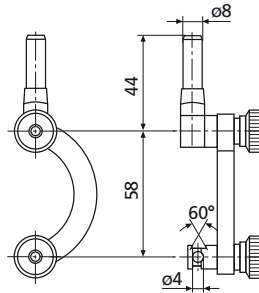
Martest - Accessories

Holder 800 h



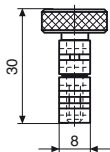
	Dimensions		Order no.
	a	b	
800 h1	9x9	100	4305888
800 h2	1/4" x 1/2"	4"	4305889

Universal centering support frame 800 b Order no. 4305893



Indicator not included.

Universal clamp 800 k

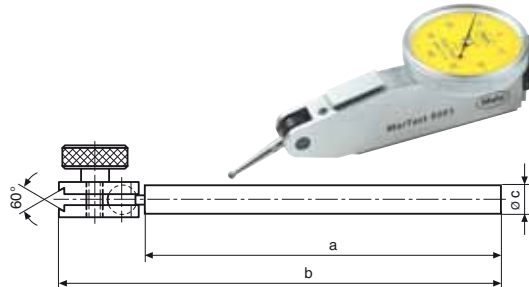


800 h1 with 800 k8

	Dimensions		Order no.
	dia. d1	dia. d2	
800 k8	4	8	4305891
800 k3/8	5/32"	3/8"	4305892

Indicator not included.

Universal holder with dovetail clamp



800 hs8

	Dimensions			Order no.
	a	b	dia. c	
800 hs8	100	124	8	4305886
800 hs3/8	4"	5"	3/8"	4305887

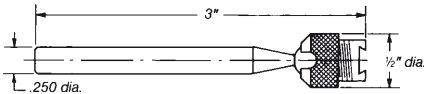
Indicator not included.

Ball Clamp

- Dovetail and ball for indicator mounting and omni-directional orientation

Order no.

AT-50

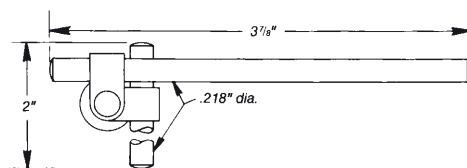


Jig Borer Attachment

- Furnished with two rods and clamp for fast machine mounting

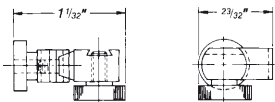
Order no.

RD-21



Swivel Clamp

- Normally furnished with MarTest models. Allows indicator to be mounted on most indicator stands and fixtures



Order no.

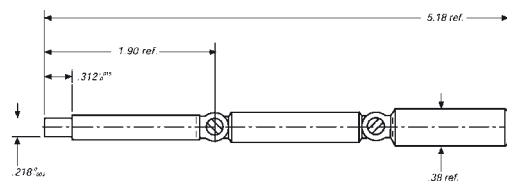
CP-2199

Double-jointed Clamp

- Reaches up to 127 mm / 5" with easy positioning for many applications including milling machine and Jig Borers

Order no.

AT-100

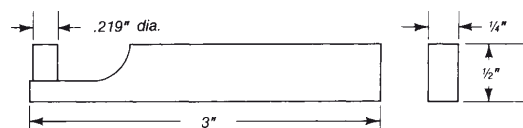


Holding Bar

- Normally furnished with MarTest models. Three-inch length provides ample reach for most applications

Order no.

HB-2157



Martest - Accessories

Test Stand 1492B

- Use with any MarTest Indicator - Support arms stepped at one end (.218in dia.) for Swivel Clamp (CP-2199) included.
- Accommodates Vertical and Horizontal lug back mounts for AGD type Indicators.
- Bases have powerful "ON/OFF" permanent magnets which hold from any of four faces - three sides or bottom.



Indicator not included.

Base Dimensions		Main Post		Support Arm		Order no.
W x L x H		Length	Diameter	Length	Diameter	
mm	(inch)	mm/inch	mm/inch	mm/inch	mm/inch	
60 x 48 x 59	(2.4" x 1.9" x 2.2")	178/ 7"	10/ .47"	165/ 6.5"	9.9/ .39"	1492B-5
60 x 48 x 59	(2.4" x 1.9" x 2.2")	178/ 7"	10/ .47"	149/ 5.9"	9.9/ .39"	1492B-10
114 x 48 x 59	(4.5" x 1.9" x 2.2")	401/ 15.8"	20/ .79"	200/ 7.9"	14/ .55"	1492B-15

Measurements are mm/inch. All models furnished with post clamp and indicator mounting clamp. Style 1492B-10 has fine adjustment on post clamp.

Transfer Stand 2300

- Fine adjustment conveniently located in base.
- Three-point base pads improve accuracy.
- Contoured shape facilitates movement.
- Use with any Testmaster Indicator - stud accommodates Swivel Clamp (CP-2199).
- EHE-2048 Gage head requires a CP-116 Clamp.



Indicator not included.

Base Dimensions		Column	Maximum vertical capacity	Reach	Mounting stud dia.	Order no.
W x L x H		(dia. x H)	(mm/inch)	(base to contact point)	(mm/inch)	
mm	(inch)	mm/inch	mm/inch	mm/inch	mm/inch	
76 x 110 x 45	(3 x 4.375 x 1.75")	25 x 430/ .995 x 17"	457/ 18"	approx. 86/ 3.375"	5.55/ .218"	2300

Mechanical 3D-Touch Probe MarTest 802 NW



Applications

Can be used on milling and CNC machines to

- determine the zero position on a work piece
- determine the center of a bore
- determine and correct the position of a work piece

and for measurement of

- lengths
- depths

Features

- High accuracy and linearity
 - suitable for measuring work pieces
 - measurement over the entire working range is possible
- Can be controlled independently of a machine tool
- Easy to read display
- Large working range in all axis (X, Y, Z) prevents damage to the stylus by contacting errors

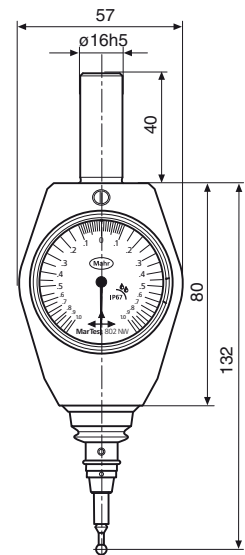
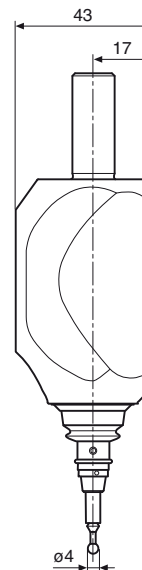
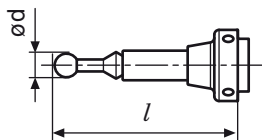
- Shock and Water proof, ideal for the use on a machine with a tool changer
- Compact metal housing and long probe arm
- Supplied with: Operating instructions

Technical Data

	Repeatability in zero position unidirectional	Readings	Dial dia.	Mounting shaft dia.	Order no.
802 NW	± 0.01 mm	0.01 mm	50 mm	16 mm	4304311

Accessories

Styli	dia. d mm	l mm	Order no.
802 EWt	4	31	4304320
802 NWt	6	56.6	4304321



Digital 3D-Touch Probe MarTest 802 EW



Applications

Can be used on milling and CNC machines to

- determine the zero position on a work piece
- determine the center of a bore
- determine and correct the position of a work piece

and for measurement of

- lengths
- depths

Features

- High accuracy and linearity
 - suitable for measuring work pieces
 - measurement over the entire working range is possible
- Can be controlled independently of a machine tool
- Easy to read display due to the combination of:
 - a progressive analog display (bar graph) for dynamic path information
 - a digital display for accurate reading
- Large working range (6 mm) in all axis (X, Y, Z) prevents damage to the stylus by contacting errors
- Shock and water proof; ideal for the use on a machine with a tool changer
- Compact metal housing and long probe arm
- Supplied with:
 - Battery and operating instructions

Technical Data

	Working range X. Y. Z-Axis	Repeatability in zero position unidirectional	Resolution of digital display	Display range	Mounting shaft dia.	Order no.
802 EW	-2 to 4 mm	± 0.005 mm	0.005 mm	± 2 mm	16 mm	4304300
802 EWZ	-.0787" to .157"	± .0001"	.0001"	± .0787"	3/4"	4304305

* Further mounting shafts are available on request

Accessories

Styli	dia. d mm	l mm	Order no.
802 EWt	4	31	4304320

